



GSM Modem

MA 100

The **MA 100** is a modem GSM/GPRS designed for industrial applications that can be used on 900 and 1800 Mhz GSM networks. The modem requires a SIM card to provide connection to a network service provider.

The modem contains an enhanced TCP/IP stack to allow GPRS (General Packet Radio Service) connections to be made seamlessly and reliably ensuring maximum availability of the GPRS connection. If the GPRS connection is broken the modem can automatically re-establish the link.

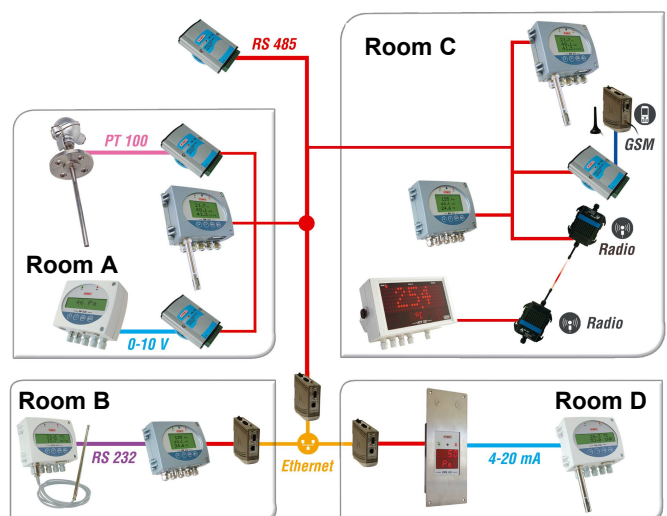
Another enhanced feature in the modem includes the ability to make a CSD connection or send an SMS message when the DTR signal is activated, allowing the modem to be used in applications where the connected device has no intelligence to initiate a call using AT commands.

If a PIN number is used by the network, this can be stored in the modem to ensure the availability of the modem after a power failure. The modem can also periodically re-register with the network, this is required as some networks will deregister a SIM that has not moved or been active for a period of time.

■ Technical feature

Frequency.....	GSM 900/1800 MHz
Operating voltage.....	9,6-57,6 V _{DC} (Polarity protected)
Rated current.....	350mA@12V _{DC}
Rated frequency.....	DC
Connection.....	Detachable 2-positions screw terminal
Operating temperature.....	from -25 to +50°C
Communication protocol.....	GPRS, class B, class 10
Input.....	14 (WB) – 70 (NB)
Communication.....	automatic SMS
Speed CSD.....	up to 14,4 Kbit/s
Speed GPRS.....	up to 85,6 Kbit/s
Speed serial.....	300 to 11,2 Kbit/s
Isolation.....	galvanic

■ Applications



www.kimo.fr

EXPORT DEPARTMENT

Tel : + 33. 1. 60. 06. 69. 25 - Fax : + 33. 1. 60. 06. 69. 29

e-mail : export@kimo.fr



Distributed by :