



## For General Use

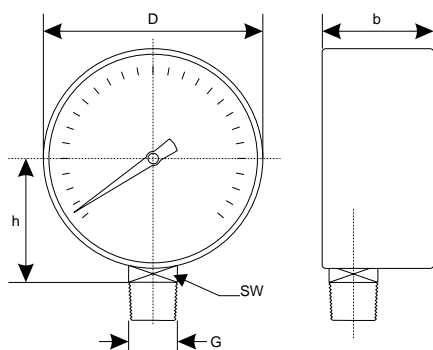
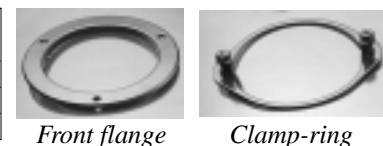
### KV series, 2% Full scale accuracy Grade B (3-2-3)

#### Dry, glass lens

- Case : IP50, black painted steel
- Ring : chromed steel
- Dial : aluminum, white background, black graduations (psi) and blue graduations (kPa)
- Range : double, lb / in<sup>2</sup> (psi) and kPa
- Resolution : 1/2 division
- Bourdon Tube : bronze
- Fitting : brass 1/8" NPT - KV40 and KV50, 1/4" NPT - KV10, KV50 and KV60
- Working and process temperature : + 5 to 50°C, less than 80% RH

Model	Dia mm	Dia inches	Fitting
KV401	40 mm	1 1/2" dia	lower mount (lm)
KV404	40 mm	1 1/2" dia	center back mount (cbm)
KV501	50 mm	2" dia	lower mount (lm)
KV504	50 mm	2" dia	center back mount (cbm)
KV601	63 mm	2 1/2" dia	lower mount (lm)
KV604	63 mm	2 1/2" dia	center back mount (cbm)
KV101	100 mm	4" dia	lower mount (lm)

For model	Front flange	Clamp-ring
KV404	call	019088
KV504	call	019089
KV604	019039	019091

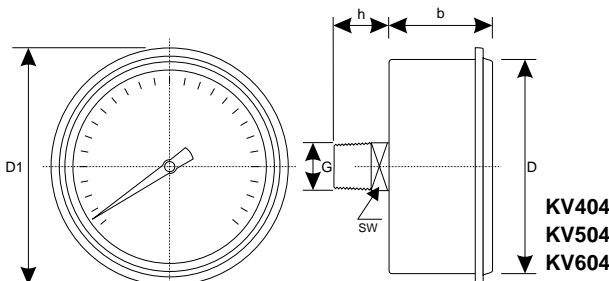


**KV401**  
**KV501**  
**KV601**

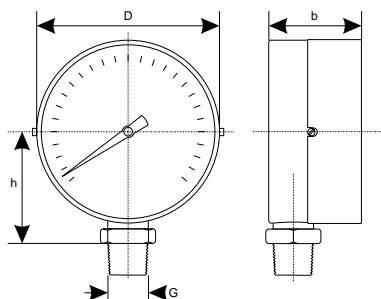
## How to order

Model — fitting 4 = (1/4" NPT) or 8 = (1/8" NPT) — Range Code

Example : **KV601** - **4** **23** = 63mm, 1/4"NPT, 0/100 psi 0/700 kPa



**KV404**  
**KV504**  
**KV604**



**KV101**

Range Code	"Hg and psi Range	kPa Range	"Hg Divisions	psi Divisions	kPa Divisions
01	-30/0/Hg	-100/0	0,5		2
06	-30/0/30	-100/0/200	1	1	5
07	-30/0/60	-100/0/400	2,5	2	10
08	-30/0/100	-100/0/700	5	2	20
17	0/15	0/100		0,25 (0,5)*	2
20	0/30	0/200		0,5	5
22	0/60	0/400		1	10
23	0/100	0/700		2	20
25	0/160	0/1100		2	20
26	0/200	0/1400		5	50(25)**
27	0/300	0/2100		5	50
30	0/600	0/4200		10	100
32	0/1000	0/7000		20	200
36	0/3000	0/21000		50	500
38	0/5000	0/34000		100	1000

\*KV101 only

\*\*KV601 and KV604 only

- All ranges are not available for all models (some are only made to order)
- Other sizes : 160mm (6") and 250mm (10")
- Other ranges : maximum 5000 psi (up to 63mm) — maximum 8500 psi (100 and 160mm)
- Maximum process temperature 200°C
- Your logo on the dial (minimum quantity required)

	D	D1	b	h	G	SW
<b>KV404</b>	40	46	27	11	1/8"NPT	14
<b>KV504</b>	50	56	30	16	1/4" or 1/8"NPT	14
<b>KV604</b>	63	69,5	31	16	1/4"NPT	14
<b>KV401</b>	40		26,5	26,5	1/8"NPT	14
<b>KV501</b>	50		30	31	1/4" or 1/8"NPT	14
<b>KV601</b>	63		32	35	1/4"NPT	14
<b>KV101</b>	100		33	59	1/4"NPT	22

dimensions  
in  
millimeters

## Options

- Plastic case (KP series)
- Plastic lens (KP series)
- Front flange (from factory only)

Other models, styles and fittings available on request