



For general use - 63mm (2½")
760 Series, 2% Full scale accuracy, Grade B (3-2-3)

Glycerine filled, acrylic lens

- Case : IP50, stainless steel
- Ring : stainless steel
- Dial : aluminum, white background, black (psi) and blue (kPa) graduations
- Dial : double, lb/in² (psi) and kPa
- Resolution : ½ division
- Bourdon Tube : brass (less than 600 psi), bronze (over 800 psi)
- Fitting : brass, ¼" NPT
- Working and process temperature : -10 to 50°C, less than 80% RH

Model	Dia mm	Dia inches	Fitting
761	63 mm	2½"	lower mount (lm)
764	63 mm	2½"	center back mount (cbm)
766	model 764 with front flange (cbm)		
767	model 764 with clamp ring (cbm)		

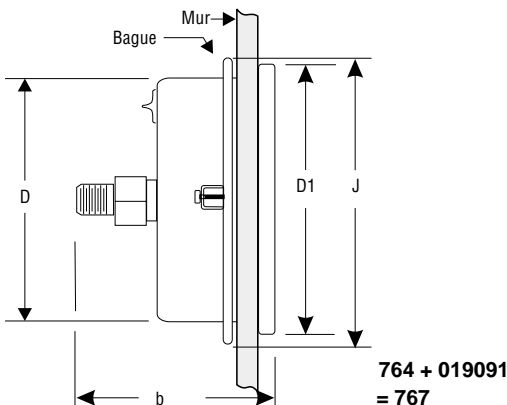
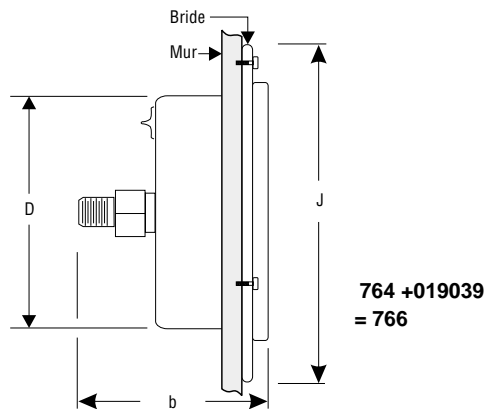
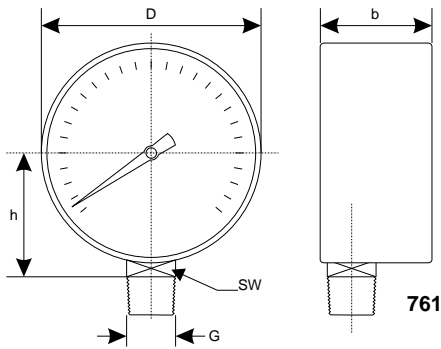
OPTIONS

019039	front flange
019091	clamp-ring

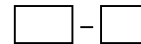


Front flange

Clamp-ring



How to order



Model — Range Code

Example : **761** - **423** = 63mm, 1/4"NPT, 0/100 psi 0/700 kPa

Range Code	"Hg and psi Range	kPa Range	"Hg Divisions	psi Divisions	kPa Divisions
401	-30/0"Hg	-100/0	0,5		2
417	0/15	0/100		0,25	2
420	0/30	0/200		0,5	5
422	0/60	0/400		1	10
423	0/100	0/700		2	20
425	0/160	0/1100		2	20
426	0/200	0/1400		5	50
427	0/300	0/2100		5	50
429	0/500	0/3400		10	100
430	0/600	0/4200		10	100
432	0/1000	0/7000		20	200
436	0/3000	0/21000		50	500
438	0/5000	0/34000		100	1000
439	0/6000	0/40000		100	1000
441	0/10000	0/70000		200	2000

Options

- ABS case
- U-Clamp (from factory only)
- Your logo on the dial (minimum quantity required)

	D	D1	b	h	G	SW	J
761	63			38	1/4"NPT	14	
764	63	66,8	55		1/4"NPT	14	
766	63	66,8	55		1/4"NPT	14	88,9
767	63	66,8	55		1/4"NPT	14	68,8

dimensions
in
millimeters

Other models, styles and fittings available on request