

DATA SHEET

CT 50

Tachymeter



Easy to use



Hold function



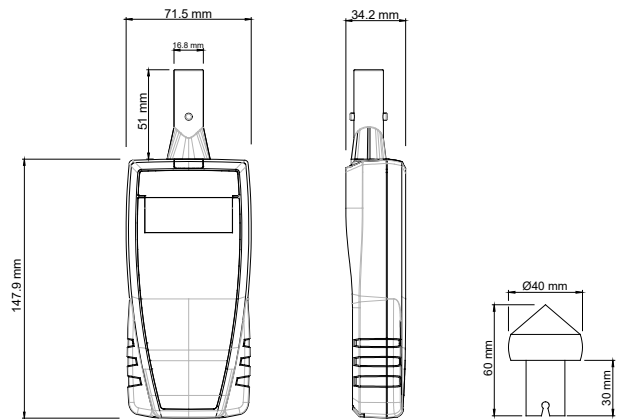
Built-in probe



Auto shut-off: 20 minutes

Features of housing

Material	ABS
Protection	IP54
Display	2 lines, LCD technology, 50 x 36 mm. 1 line of 5 digits with 7 segments (value) 1 line of 5 digits with 16 segments (unit)
Height of digits	Values: 9.2 mm. Units: 4.7 mm
Weight	200 g (with batteries)



Technical specifications

Parameter	Optical velocity	Contact velocity
Measuring units	tr/min, rpm	rpm, m/min, ft/min, in/min, m/s
Measuring range	From 60 to 60,000 rpm	From 30 to 3000 rpm
Accuracy ⁽¹⁾	From 60 to 10,000 rpm: $\pm 0.3\%$ of reading ± 1 rpm From 10,001 to 60,000: ± 30 rpm	From 30 to 3000 rpm: $\pm 1\%$ of reading ± 1 rpm
Resolution	1 rpm	1 rpm
Measuring element	Phototransistor, sighting distance max. 40 cm	ETC Adapter positioned on optical probe
Conditions for use (°C/%RH/m)	From 0 to +50°C. In non-condensing conditions. From 0 to 2000 m.	
Storage temperature	From -20 to +80 °C	
Power supply	4 piles AAA LR03 1.5 V	
Battery life	20 hours	
European directives	2014/30/EU EMC; 2014/35/EU Low Voltage; 2011/65/EU RoHS II; 2012/19/EU WEEE	

⁽¹⁾ All the accuracies indicated in this technical datasheet were stated in laboratory conditions, and can be guaranteed for measurements carried out in the same conditions, or carried out with calibration compensation.

Kit content

Instruments are supplied with an adjustment certificate, a reflective tape, a contact tip and a soft case.



Accessories

Reference	Description
-	Calibration certificate
MT 51	Soft case
CQ 15	Magnetic protective housing



Only the accessories supplied with the device must be used.

Warranty

Instruments have 1-year warranty for any manufacturing defect (return to our After-Sales Service required for appraisal).

Maintenance:

We carry out calibration, adjustment and maintenance of your instruments to guarantee a constant level of quality of your measurements.

As part of Quality Assurance Standards, we recommend you to carry out a yearly checking.

Precautions for use:

Please always use the device in accordance with its intended use and within parameters described in the technical features in order not to compromise the protection ensured by the device.