

Si-RV3

Smart wireless vacuum probe with dual valves



DEVICE KEY FEATURES

Smart wireless vacuum probe for measuring vacuum in a refrigeration system.

- Light and curved design for easy plug-in to facilities
- High accuracy Pirani® vacuum sensor
- Dual valve system enabling simultaneous vacuum measurement **and** evacuation of refrigerant
- Built-in Schrader® cores for easy refrigerant charging
- Range from 5 to 25,000 microns
- Reduce the use of hoses
- Overmoulding for easy handling and protection
- Long range wireless connection low energy



SI-MANIFOLD APP KEY FEATURES

General features

- Clear interface for easy reading in any condition
- Gauge, table or graphic visualizations
- Creation of measurements report with possibility to add pictures
- Report exportation in PDF, CSV and XML formats
- Data logging
- Chronometer function
- Free app for iOS and Android devices
- Minimum required versions: Android 4.4, IOS 8.0, BLE 4.0

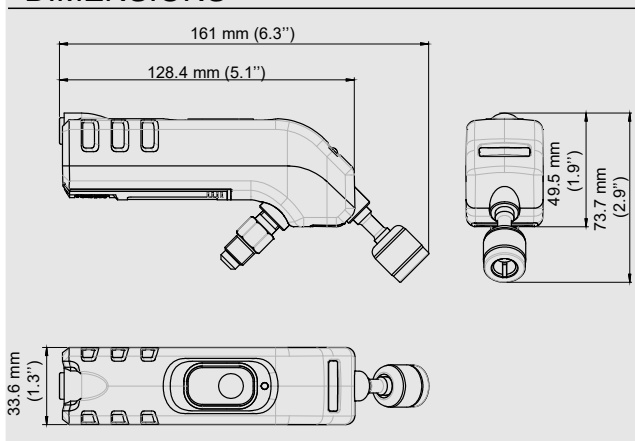
Vacuum features

- Vacuum measurement function
- Configuration of vacuum target value
- Temperature of water evaporation

Manifold features

- Superheat and subcooling real time calculation
- Configuration of superheat/subcooling target values
- Heating and cooling functions
- 126 refrigerant gases with favorite list

DIMENSIONS



HOUSING

Weight

136 g (4.8 oz)

Control

1 on/off button

Material

ABS – PC and thermoplastic elastomer

Batteries power supply

3 alkaline AAA 1.5 V batteries

Protection

IP 54

*See warranty.sauermanngroup.com for conditions

TECHNICAL FEATURES

Vacuum

Measurement and discharge valves	2 valves
Measuring range	From 5 to 25,000 microns
Pressure sensing accuracy*	$\pm 10\%$ of the measured value ± 10 microns**
Available units	micron, Pa, hPa, mbar, Torr, mmHg, inHg, inH ₂ O
Resolution	1 micron from 0 to 1000 microns 10 microns from 1000 to 2000 microns 100 microns from 2000 to 10,000 microns 500 microns from 10,000 to 25,000 microns
Overload	10 bar (145 psi)
Burst pressure	27.5 bar (400 psi)
Operating temperature (handle)	From -10 to 50°C (-4 to 122°F)
Storage temperature (handle)	From -20 to 60°C (-4 to 140°F)

Device

Environmental conditions of use	Hygrometry: in non-condensing condition Maximum altitude: 2000 m (6561') Non-corrosive or combustible gases
Battery life	250 h (for one measurement every three seconds @ 20°C / 68°F)
Wireless connection	Class 1 BLE 4.2
Wireless connection range	Up to 30 m (98 ft) - Depending on smartphone and tablet wireless connection radio strength.
Connections	To installation: female 1/4" FFL with Schrader® depressor To flexible: male 1/4" MFL with Schrader® valve
Standards	2011/65/EU RoHS II; 2012/19/EU WEEE; 2014/30/EU EMC; 2014/53/EU RED

SUPPLIED WITH

- Adjustment certificate
- Simplified User Manual
- 3 AAA batteries

OPTIONS

- Set of three flexible hoses of 1m length with stop valves. *Ref: ACC25831*
- Adaptation connector for R410 gas. *Ref: ACC25830*



CLEANING

A cleaning is possible with isopropyl alcohol.

WARRANTY

Devices have an additional 1-year manufacturer warranty. See conditions on warranty.sauermanngroup.com

PRECAUTIONS FOR USE

Please always use the device in accordance with its intended use and within parameters described in the technical features in order not to compromise the protection ensured by the device.

*All accuracies specified in this document were conducted under laboratory conditions & can be guaranteed for measurement carried out in the same conditions, or carried out with calibration compensation.
**The pressure accuracy is given for the 100 to 2000 microns range.