

5" SCALE SUBMARINE THERMOMETERS MODEL 141

STANDARD FEATURES

- 5" scale size
- V-shaped aluminum scale with black figures
- Lens front, red liquid filled tube for 2" stem
- Lens front, blue liquid filled tube for 4" stem
- Gray ABS case
- Glass face (window) to exclude dirt and dust
- Available with:
 - 2" nominal stem length for 3 1/4" OA thermowell
 - 4" nominal stem length for 5 1/4" OA thermowell

CATALOG NUMBERS

SCALE SIZE	STEM LENGTHS	
5"	2"	4"
90° BACK ANGLE	141GS	141KS

STANDARD TEMPERATURE RANGES

CODE	DUAL SCALE (both °F and °C)
DA	-40 / 110°F (2° Div.) and -40 / 40C (2° Div.)
DF	20 / 180°F (2° Div.) and -6 / 82C (1° Div.)
DH	30 / 240°F (2° Div.) and 0 / 114C (2° Div.)
DK	50 / 400°F (5° Div.) and 10 / 200C (2° Div.)

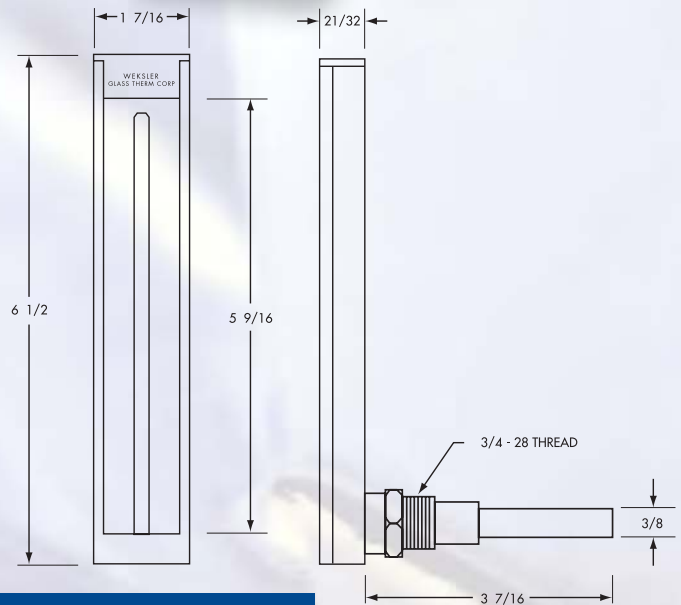
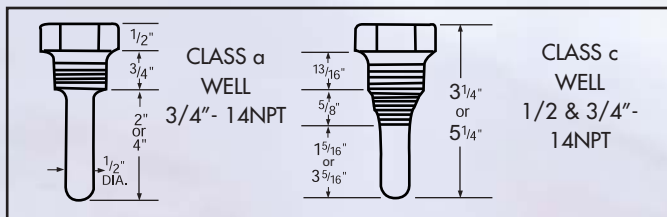
THERMOWELLS

WELL CLASS	STEM LENGTH	WELL LENGTH	CATALOG NUMBER	
			BRASS	304 ST ST
a	2"	3 1/4"	*	W3G1
	4"	5 1/4"		W5G1
c	2"	3 1/4"	W3B3	W3G3
	4"	5 1/4"	W5B3	W5G3

*Brass wells only available in Class C

THERMOWELL DIMENSIONS

3/4-28" Female Thread (Internal)



◀ **CAT. NO. 141GS**

*Straight form available.
See page 6.*

HOW TO ORDER - PLEASE SPECIFY THE FOLLOWING:

MODEL #	STEM LENGTH	RANGE
141	GS = 2" stem KS = 4" stem	2 digit code from table