

# 5" SCALE SUPER ECONOMY THERMOMETER MODEL 152FC

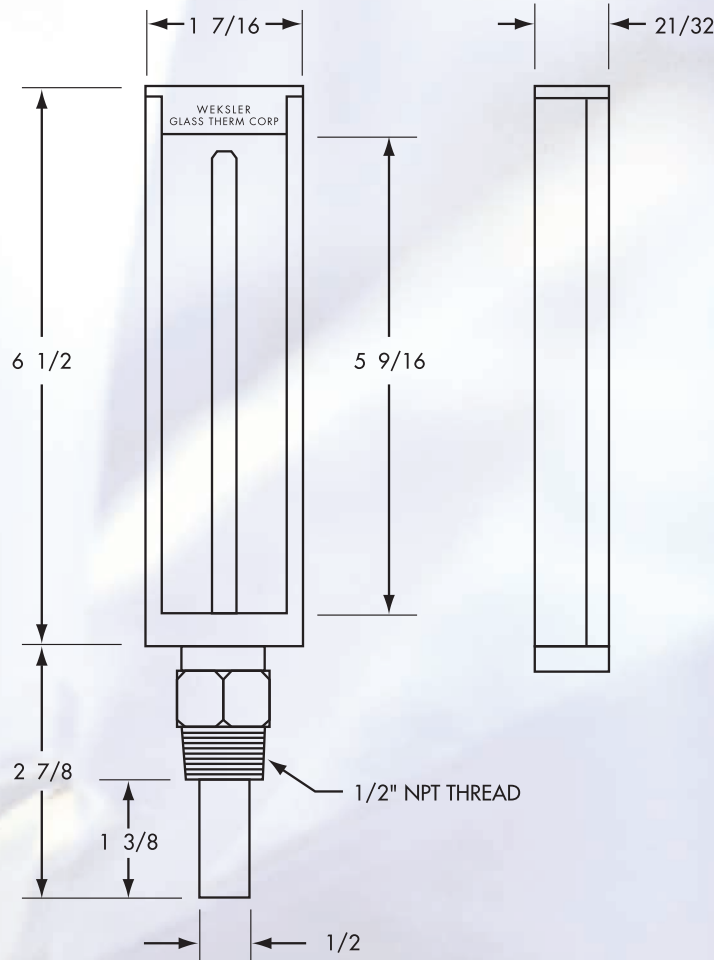
## STANDARD FEATURES

- Range 40 to 260° F and C
- Gray ABS case
- No glass face (window)
- Lens front blue liquid filled tube
- V-shaped aluminum scale, black figures and graduations on white background
- Complete with 1/2" NPT brass well, 2" nominal length

**CAT. NO.**  
**152FC**

## CATALOG NUMBER

FORM	2" STEM
STRAIGHT	152FC



*Back angle form available.  
See page 9.*

Customer \_\_\_\_\_  
 Project \_\_\_\_\_  
 Engineer \_\_\_\_\_  
 PRO or P.O. # \_\_\_\_\_