



PT40 SERIES

- Gauge, compound, absolute and vacuum ranges from 2 psig to 15,000 psig
- Premium accuracy
- Current and voltage outputs available
- 316 and 17-4PH Stainless Steel wetted parts
- CE compliant to suppress RFI, EMI and ESD
- RoHS compliant

APPLICATIONS

- Hydraulics & pneumatics
- Laboratory & test equipment
- Power generation
- Stamping & forming presses
- Mobile equipment
- General industrial

SPECIFICATIONS

Output signals	4 mA to 20 mA, 2-wire; 0 Vdc to 5 Vdc, 0 Vdc to 10 Vdc, 1 Vdc to 5 Vdc, 3-wire	
Pressure ranges	Gauge, compound, absolute and vacuum ranges from 2 psi to 15,000 psi	
Accuracy*	±0.25% of span, optional ±0.125% of span, non-linearity best fit straight line per IEC 61298-2 at reference conditions	
Adjustment	± 10% full scale for zero and span	
Response time	Less than 1 ms (between 10% and 90% full scale)	
Service life	> 100 million load cycles	
Temperature ranges*	Compensated:	32 °F to 176 °F (0 °C to 80 °C)
	Media:	-22 °F to 212 °F (-30 °C to 100 °C)
	Ambient:	-4 °F to 176 °F (-20 °C to 80 °C)
	Storage:	-40 °F to 212 °F (-40 °C to 100 °C)
Power requirement*	10 Vdc to 30 Vdc:	4 mA to 20 mA, 2-wire 1 Vdc to 5 Vdc, 3-wire, 0 Vdc to 5 Vdc, 3-wire
	14 Vdc to 30 Vdc:	0 Vdc to 10 Vdc, 3-wire
Proof pressure	< 300 psi:	3 times full scale
	300 – 10,000 psi:	2 times full scale
	> 10,000 psi:	1.5 times full scale
Burst pressure	< 300 psi:	5 times full scale
	300 – 10,000 psi:	4 times full scale
	> 10,000 psi:	3 times full scale
Measuring element	316 Stainless Steel:	Vacuum through 300 psi
	17-4PH Stainless Steel:	≥ 500 psi
Process connection	316 Stainless Steel	
Housing material	316 Stainless Steel	
Environmental rating	IP65: DIN EN 175301-803 Form C IP67: 4-pin Bayonet, 6-pin Bayonet, 1/2" NPT conduit, M12 x 1 (4-pin), Integral cable	
Electromagnetic rating	CE compliant to EMC norm EN 61326:2014/A1:1998 RFI, EMI and ESD protection	
Electrical protection	Reverse polarity, overvoltage and short circuit protection	
Shock	1,000 g's according to IEC 60068-2-27	
Vibration	20 g's according to IEC 60068-2-6	
Weight	Approximately 7.5 oz.	

* See user manual for detailed specifications

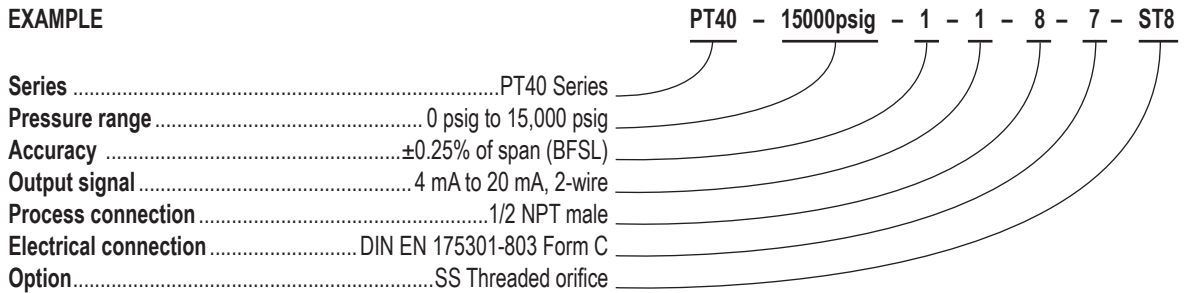


WARNING: This product can expose you to chemicals including Nickel, which is known to the State of California to cause cancer and birth defects or other reproductive harm. For more information go to www.P65Warnings.ca.gov

ORDERING INFORMATION																																									
SERIES	PT40																																								
PRESSURE RANGES	<table border="0"> <tr> <td>15psiv -15 psig to 0 psig</td> <td>3psig 0 psig to 3 psig</td> <td>200psig 0 psig to 200 psig</td> <td>3000psig 0 psig to 3,000 psig</td> <td>30psia 0 psia to 30 psia</td> </tr> <tr> <td>15psic -15 psig to 15 psig</td> <td>5psig 0 psig to 5 psig</td> <td>300psig 0 psig to 300 psig</td> <td>4000psig 0 psig to 4,000 psig</td> <td>60psia 0 psia to 60 psia</td> </tr> <tr> <td>30psic -15 psig to 30 psig</td> <td>10psig 0 psig to 10 psig</td> <td>500psig 0 psig to 500 psig</td> <td>5000psig 0 psig to 5,000 psig</td> <td>100psia 0 psia to 100 psia</td> </tr> <tr> <td>60psic -15 psig to 60 psig</td> <td>15psig 0 psig to 15 psig</td> <td>600psig 0 psig to 600 psig</td> <td>6000psig 0 psig to 6,000 psig</td> <td>150psia 0 psia to 150 psia</td> </tr> <tr> <td>100psic -15 psig to 100 psig</td> <td>30psig 0 psig to 30 psig</td> <td>750psig 0 psig to 750 psig</td> <td>7500psig 0 psig to 7,500 psig</td> <td>200psia 0 psia to 200 psia</td> </tr> <tr> <td>200psic -15 psig to 200 psig</td> <td>60psig 0 psig to 60 psig</td> <td>1000psig 0 psig to 1,000 psig</td> <td>10000psig 0 psig to 10,000 psig</td> <td>300psia 0 psia to 300 psia</td> </tr> <tr> <td>300psic -15 psig to 300 psig</td> <td>100psig 0 psig to 100 psig</td> <td>1500psig 0 psig to 1,500 psig</td> <td>15000psig 0 psig to 15,000 psig</td> <td></td> </tr> <tr> <td>2psig 0 psig to 2 psig</td> <td>150psig 0 psig to 150 psig</td> <td>2000psig 0 psig to 2,000 psig</td> <td>15psia 0 psia to 15 psia</td> <td></td> </tr> </table> <p>psiv = vacuum gauge pressure psic = compound gauge pressure psig = gauge pressure psia = absolute pressure Other ranges available on request Note: Front flush connection is available for pressure ranges up to 0 psig to 8,000 psig</p>	15psiv -15 psig to 0 psig	3psig 0 psig to 3 psig	200psig 0 psig to 200 psig	3000psig 0 psig to 3,000 psig	30psia 0 psia to 30 psia	15psic -15 psig to 15 psig	5psig 0 psig to 5 psig	300psig 0 psig to 300 psig	4000psig 0 psig to 4,000 psig	60psia 0 psia to 60 psia	30psic -15 psig to 30 psig	10psig 0 psig to 10 psig	500psig 0 psig to 500 psig	5000psig 0 psig to 5,000 psig	100psia 0 psia to 100 psia	60psic -15 psig to 60 psig	15psig 0 psig to 15 psig	600psig 0 psig to 600 psig	6000psig 0 psig to 6,000 psig	150psia 0 psia to 150 psia	100psic -15 psig to 100 psig	30psig 0 psig to 30 psig	750psig 0 psig to 750 psig	7500psig 0 psig to 7,500 psig	200psia 0 psia to 200 psia	200psic -15 psig to 200 psig	60psig 0 psig to 60 psig	1000psig 0 psig to 1,000 psig	10000psig 0 psig to 10,000 psig	300psia 0 psia to 300 psia	300psic -15 psig to 300 psig	100psig 0 psig to 100 psig	1500psig 0 psig to 1,500 psig	15000psig 0 psig to 15,000 psig		2psig 0 psig to 2 psig	150psig 0 psig to 150 psig	2000psig 0 psig to 2,000 psig	15psia 0 psia to 15 psia	
15psiv -15 psig to 0 psig	3psig 0 psig to 3 psig	200psig 0 psig to 200 psig	3000psig 0 psig to 3,000 psig	30psia 0 psia to 30 psia																																					
15psic -15 psig to 15 psig	5psig 0 psig to 5 psig	300psig 0 psig to 300 psig	4000psig 0 psig to 4,000 psig	60psia 0 psia to 60 psia																																					
30psic -15 psig to 30 psig	10psig 0 psig to 10 psig	500psig 0 psig to 500 psig	5000psig 0 psig to 5,000 psig	100psia 0 psia to 100 psia																																					
60psic -15 psig to 60 psig	15psig 0 psig to 15 psig	600psig 0 psig to 600 psig	6000psig 0 psig to 6,000 psig	150psia 0 psia to 150 psia																																					
100psic -15 psig to 100 psig	30psig 0 psig to 30 psig	750psig 0 psig to 750 psig	7500psig 0 psig to 7,500 psig	200psia 0 psia to 200 psia																																					
200psic -15 psig to 200 psig	60psig 0 psig to 60 psig	1000psig 0 psig to 1,000 psig	10000psig 0 psig to 10,000 psig	300psia 0 psia to 300 psia																																					
300psic -15 psig to 300 psig	100psig 0 psig to 100 psig	1500psig 0 psig to 1,500 psig	15000psig 0 psig to 15,000 psig																																						
2psig 0 psig to 2 psig	150psig 0 psig to 150 psig	2000psig 0 psig to 2,000 psig	15psia 0 psia to 15 psia																																						
ACCURACIES	<table border="0"> <tr> <td>1 ±0.25% (of span, non-linearity, BFSL per IEC 61298-2 at reference conditions)</td> <td>2 ±0.125% (of span, non-linearity, BFSL per IEC 61298-2 at reference conditions)</td> </tr> </table>	1 ±0.25% (of span, non-linearity, BFSL per IEC 61298-2 at reference conditions)	2 ±0.125% (of span, non-linearity, BFSL per IEC 61298-2 at reference conditions)																																						
1 ±0.25% (of span, non-linearity, BFSL per IEC 61298-2 at reference conditions)	2 ±0.125% (of span, non-linearity, BFSL per IEC 61298-2 at reference conditions)																																								
OUTPUT SIGNALS	<table border="0"> <tr> <td>1 4 mA to 20 mA, 2-wire</td> <td>3 1 Vdc to 5 Vdc, 3-wire</td> </tr> <tr> <td>2 0 Vdc to 5 Vdc, 3-wire</td> <td>5 0 Vdc to 10 Vdc, 3-wire</td> </tr> </table>	1 4 mA to 20 mA, 2-wire	3 1 Vdc to 5 Vdc, 3-wire	2 0 Vdc to 5 Vdc, 3-wire	5 0 Vdc to 10 Vdc, 3-wire																																				
1 4 mA to 20 mA, 2-wire	3 1 Vdc to 5 Vdc, 3-wire																																								
2 0 Vdc to 5 Vdc, 3-wire	5 0 Vdc to 10 Vdc, 3-wire																																								
PROCESS CONNECTIONS	<table border="0"> <tr> <td>2 1/4" NPT male</td> <td>11 G 1/2B Front flush (For ranges with span ≥ 30 psi)</td> <td>83 G 1/2 B EN837</td> </tr> <tr> <td>8 1/2" NPT male</td> <td>13 G 1 B Front flush (For ranges with span <30 psi)</td> <td></td> </tr> <tr> <td>10 G1/4B EN837</td> <td>45 7/16-20 SAE J514 FIG 34B (Non-Adjustable)</td> <td></td> </tr> </table> <p>Other connections available upon request</p>	2 1/4" NPT male	11 G 1/2B Front flush (For ranges with span ≥ 30 psi)	83 G 1/2 B EN837	8 1/2" NPT male	13 G 1 B Front flush (For ranges with span <30 psi)		10 G1/4B EN837	45 7/16-20 SAE J514 FIG 34B (Non-Adjustable)																																
2 1/4" NPT male	11 G 1/2B Front flush (For ranges with span ≥ 30 psi)	83 G 1/2 B EN837																																							
8 1/2" NPT male	13 G 1 B Front flush (For ranges with span <30 psi)																																								
10 G1/4B EN837	45 7/16-20 SAE J514 FIG 34B (Non-Adjustable)																																								
ELECTRICAL CONNECTIONS	<table border="0"> <tr> <td>2 4-pin Bayonet</td> <td>16 1/2" NPT conduit w/ 3 ft. cable</td> <td>36 3 ft. Integral cable</td> </tr> <tr> <td>3 6-pin Bayonet</td> <td>17 DIN EN 175301-803 Form C w/ 3 ft. cable</td> <td>70 DIN EN 175301-803 Form C w/o mating connector</td> </tr> <tr> <td>7 DIN EN 175301-803 Form C</td> <td>25 M12 x 1 (4-pin)</td> <td></td> </tr> </table>	2 4-pin Bayonet	16 1/2" NPT conduit w/ 3 ft. cable	36 3 ft. Integral cable	3 6-pin Bayonet	17 DIN EN 175301-803 Form C w/ 3 ft. cable	70 DIN EN 175301-803 Form C w/o mating connector	7 DIN EN 175301-803 Form C	25 M12 x 1 (4-pin)																																
2 4-pin Bayonet	16 1/2" NPT conduit w/ 3 ft. cable	36 3 ft. Integral cable																																							
3 6-pin Bayonet	17 DIN EN 175301-803 Form C w/ 3 ft. cable	70 DIN EN 175301-803 Form C w/o mating connector																																							
7 DIN EN 175301-803 Form C	25 M12 x 1 (4-pin)																																								
OPTION	ST8 SS Threaded Orifice (0.8 mm)																																								

Please consult your local NOSHOK Distributor or NOSHOK, Inc. for availability and delivery information.

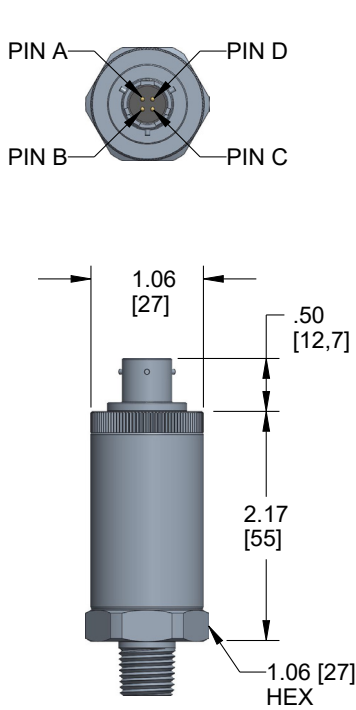
EXAMPLE



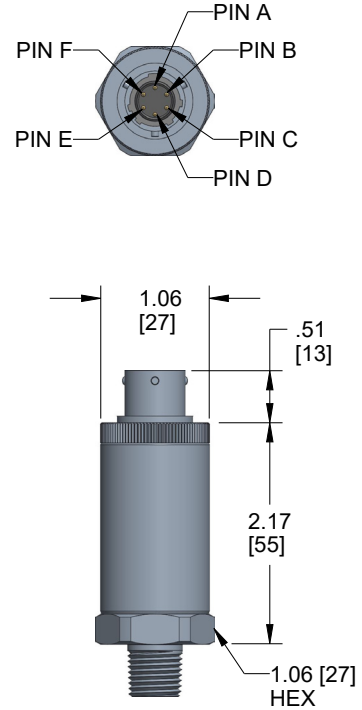
UNINSTALLED OPTIONS	
G1A-WELD-ON-ADAPTER Weld on adapter for front flush only	G1/2A-WELD-ON-ADAPTER Weld on adapter for front flush only

Dimensions

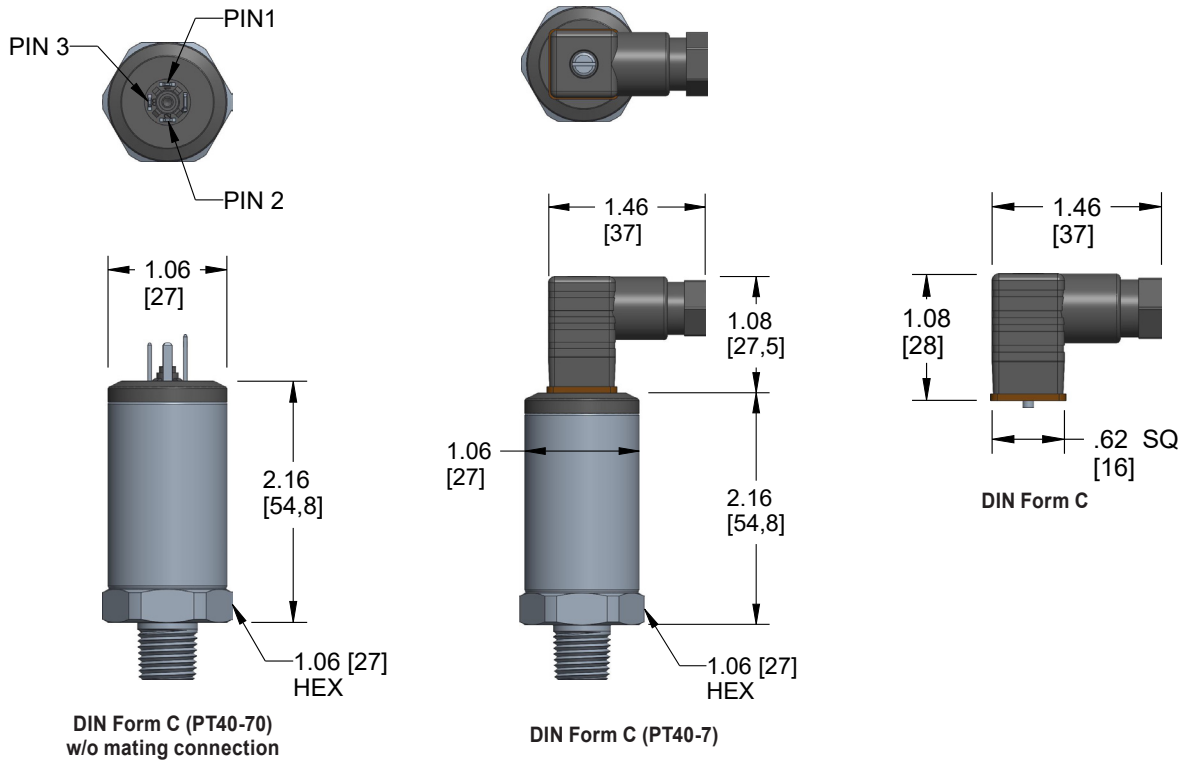
PT40-2 (4-Pin Bayonet)



PT40-3 (6-Pin Bayonet)



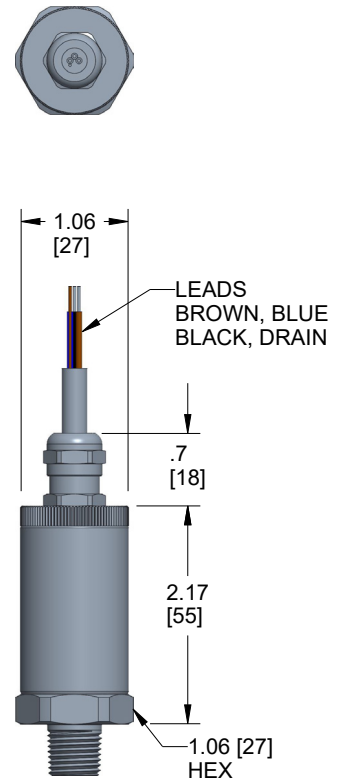
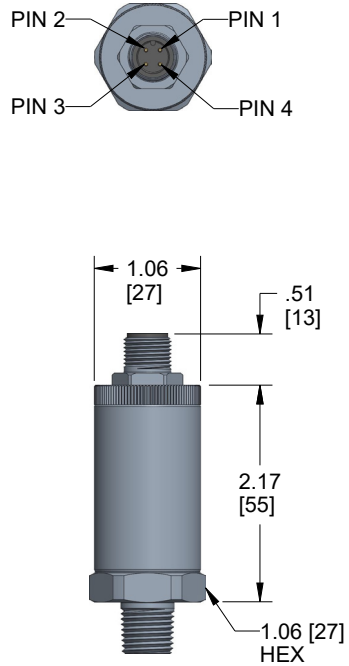
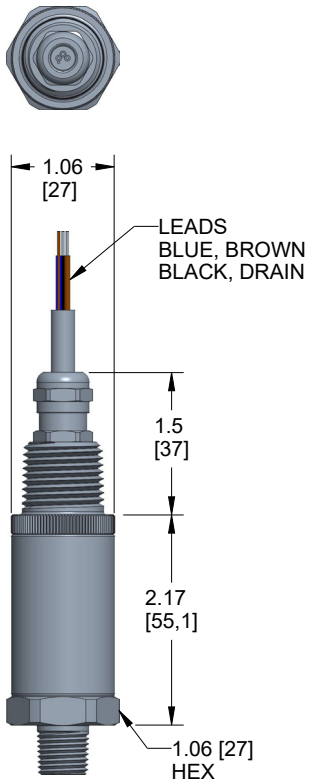
PT40 (DIN EN 175301-803 Form C)



PT40-16 (1/2" NPT conduit w/ 3 ft. cable)

PT40-25 (DIN EN 175301-803 Form A w/ 1/2" NPT female conduit)

PT40-36 (3 ft. Integral Cable)



PT40 Process Connections

