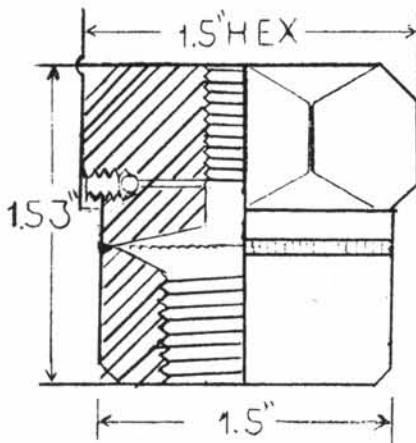


HYETT

HYETT ALL WELDED SEALS

MODEL 15AW

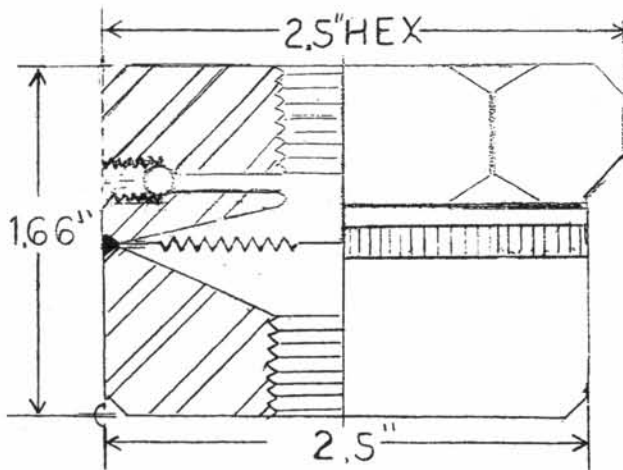


The 15AW mini-seal is designed for use on up to 3 1/2" bourdon tube gauges with a usual minimum range of 0-100 PSI.* The maximum operating pressure is 2000 PSI at 100 degrees F.

These seals are standard in 316 stainless steel. Hastelloy C lower housings and diaphragms are available with a 316ss upper. Instrument connection is 1/4" NPTF and process connections are 1/4" NPTF or 1/2" NPTF.

* Some ranges below 100 PSI are available

MODEL 25AW



The 25AW seal is designed for use on up to 4 1/2" bourdon tube gauges, including most process gauges, with pressure ranges from vacuum to a maximum operating pressure of 1000 PSI at 100 degrees F.

These seals come standard in 316 stainless steel. Hastelloy C lower housings and diaphragms are available with a 316ss upper. A 1/4" flushing connection is available on this seal. Instrument connections are available in 1/4" and 1/2" NPTF. Process connections are available in 1/4", 1/2", 3/4", and 1" NPTF.