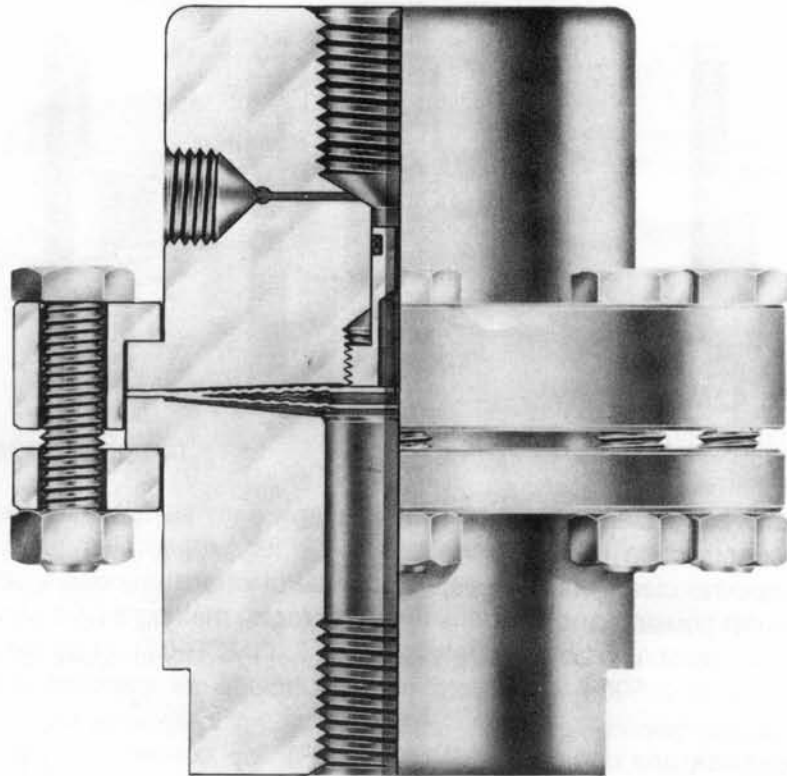


HYETT

MODEL 25 CAPSULE DIAPHRAGM SEALS

features field-replacement diaphragm, top housing assemblies and operator protection



Hyett Model 25 Diaphragm Seals feature a unique, modular approach to facilitate maintenance. When the eight bolts are removed, the top housing and screw-in diaphragm come away as a single unit, along with the gauge which is connected. This allows prefilling and pre-calibrating of a stock of top-housing diaphragm/gauge units to meet the need for a replacement as soon as a problem occurs. All without ever needing to disconnect the lower housing from the line.

Model 25 also features an overlapping collar design at the joint of the upper and lower housings, thus preventing a blowout which could spray or burn an operator.

To simplify fluid filling, all Model 25 diaphragm seals include as standard a fill/bleed port in the top housing, except non-metallic tops.

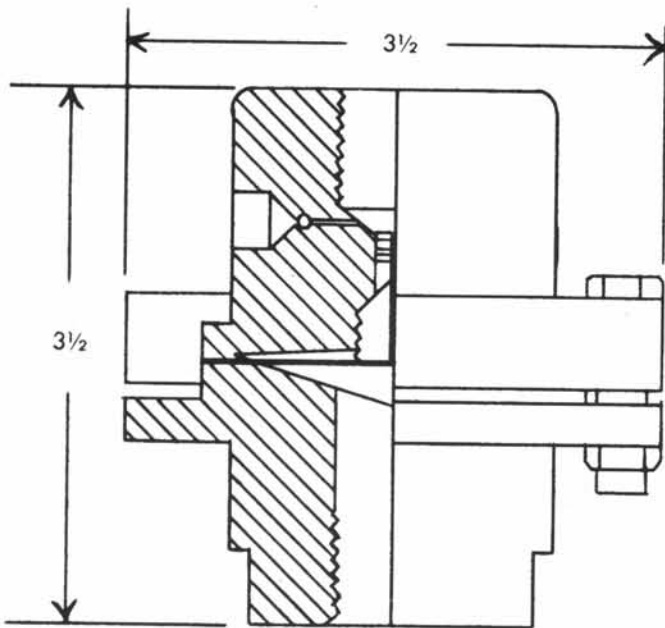
One model, the 25-01, also includes a flushing connection in the lower housing, in 1/4" N.P.T. female connection.

Model 25 diaphragm seals are available in a variety of process connections including 1/4", 1/2", 3/4", or 1" N.P.T. threaded connections, 1/2" and larger flanged connections (raised face standard, ring joint and flat face available) in a variety of flange ratings, saddle mounted models, and in-line models with welded, threaded, or flanged connections.

Other standard features are: choice of 1/4" or 1/2" N.P.T. top (instrument) connection; top housing is standard in carbon steel; diaphragm is standard in 316L stainless steel.

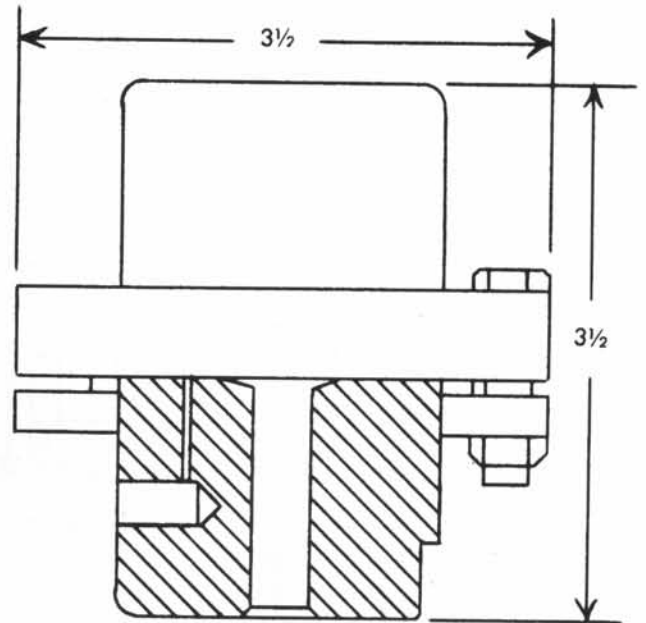
DIMENSIONAL DRAWINGS

25



25 - 01

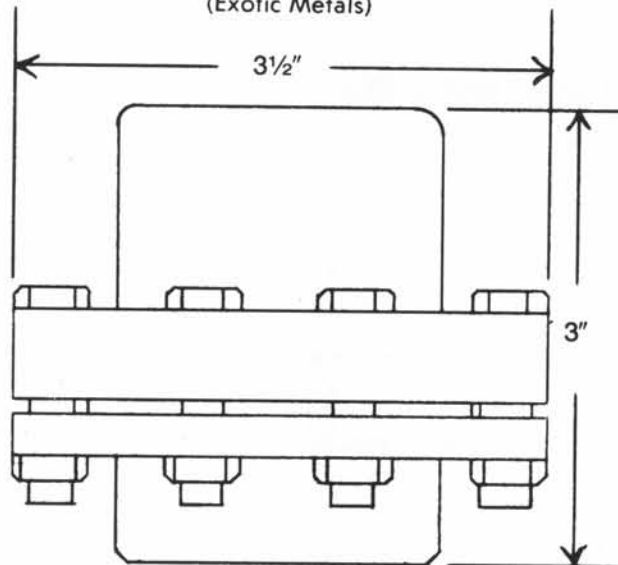
(1/4" Flushing Connection)



MODEL 25 and MODEL 25-01 are continuous duty type seals in threaded models and are rated to 2,500#psi.

25

(Exotic Metals)



MODEL 25, in exotic metals, lower housing is 1 1/4" instead of the standard 1 3/4" except when flushing connection is required. (Hastelloy, Monel, Titanium, etc.)

TO ORDER A HYETT SEAL SPECIFY:

1. Model number.
2. Material for the diaphragm and the lower housing.
3. Instrument connection, 1/4" or 1/2" N.P.T.
4. For threaded seals, specify the process connection size. For the flange seals, specify pipe size and flange pressure class.
5. Select desired filling.
6. If capillary is to be used, specify type, and length.

PRESSURE RATINGS:

Maximum allowable pressures are variable with each model description and must not be exceeded. Teflon, Polypropylene, PVC and other plastics are not designed to withstand pressures as do their metal equivalents and should be used only on low pressure service. All allowable pressures decrease when temperature increases.

SPECIAL DIAPHRAGMS

The standard diaphragm is 316L stainless steel. To order a diaphragm made of another material you can select one of the materials listed below.

| | | | | |
|---------------------|----------------|--------------|----------|-------|
| 304 Stainless Steel | Tantalum | Carpenter 20 | Teflon | Viton |
| Monel | Hastelloy B | Nickel | Titanium | |
| | Hastelloy C276 | | | |

LOWER HOUSINGS:

All models are available in many corrosion resistant materials and optional features as listed below, selection of material and compatibility of material and process fluid is responsibility of the user.

| | | |
|---------------------|--------|---------------|
| Steel | Monel | Titanium |
| 304 Stainless Steel | Nickel | Polypropylene |
| 316 Stainless Steel | PVC | Kynar |
| Hastelloy B or C | Teflon | |
| Carpenter 20 | | |

OPTIONAL FEATURES:

316 SS top housing with SS rings, nuts and bolts.
Pipe plugs for flushing connections.
Flange faces - flat face or ring joint.
5,000# PSI - type 42HP only.

LIQUID FILLINGS

Glycerine 0-400 F
Silicone -40 to 600 degrees F
Distilled Water
Halocarbon
Neobee M-20
Food Grade Silicone
Ethylene Glycol
Other Filled Liquids on Request

CAPILLARY LINES

If your application requires a stainless steel capillary line, specify one of the following and the desired length when ordering.

Stainless Steel Armored 1/4" or 1/2" N.P.T. conn.
Stainless Steel Armored PVC coated 1/4" or 1/2" N.P.T. conn.

GUARANTEE

Hyett Manufacturing and Instrument Company, Inc., guarantees its diaphragm seals to be free from defects in material and workmanship at the time of shipment.

We assume no other responsibility and make no other guarantee.