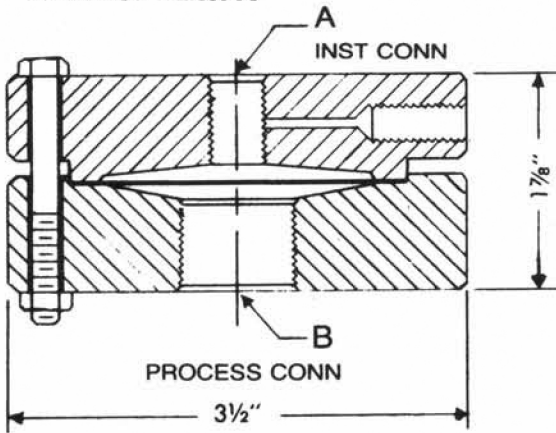
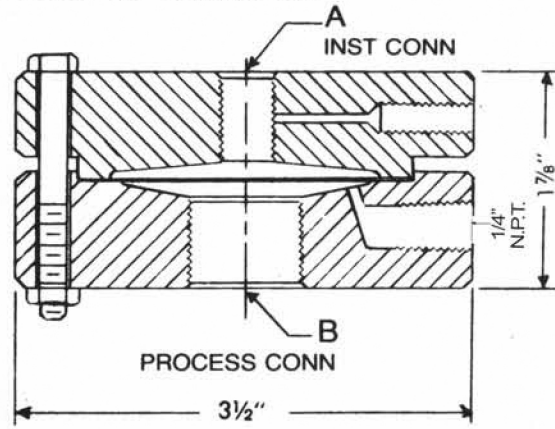


# Dimensions

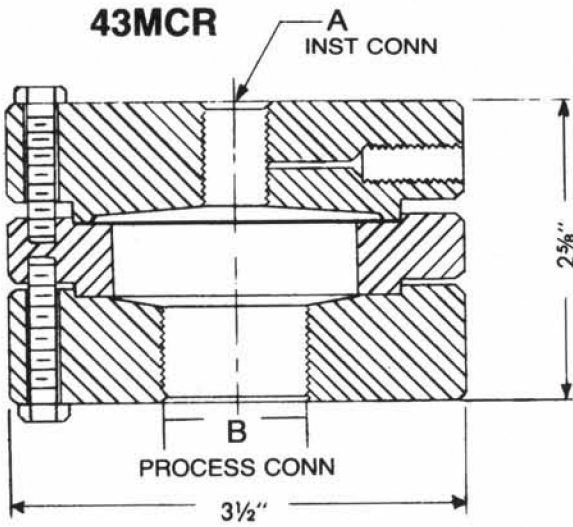
## 42M & 42MW



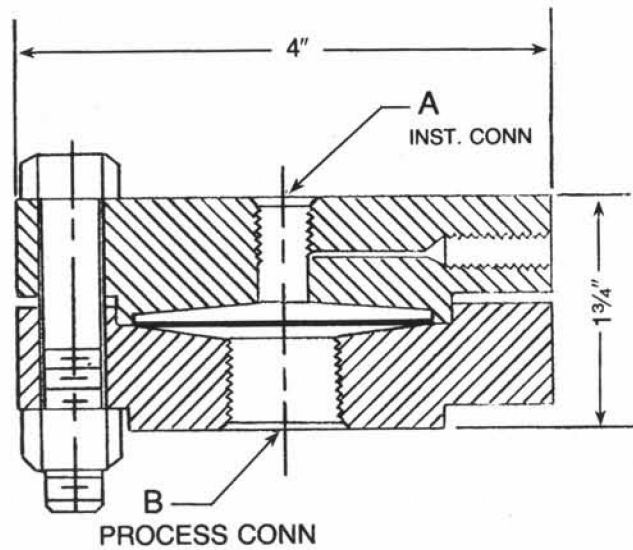
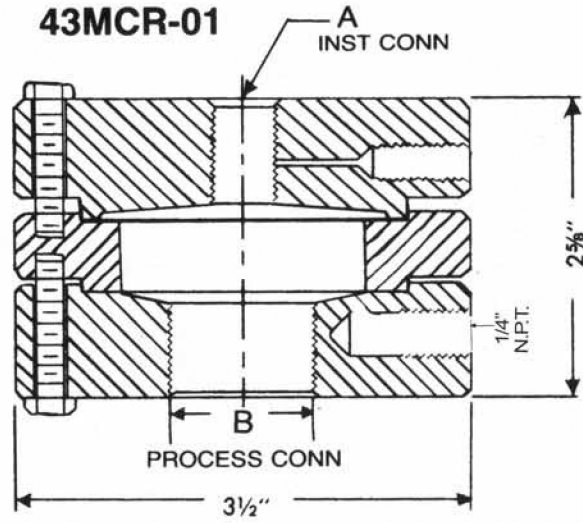
## 42M-01 & 42MW-01



## 43MCR



## 43MCR-01



## MODEL 42HP