



AC Current Transducer CT-153

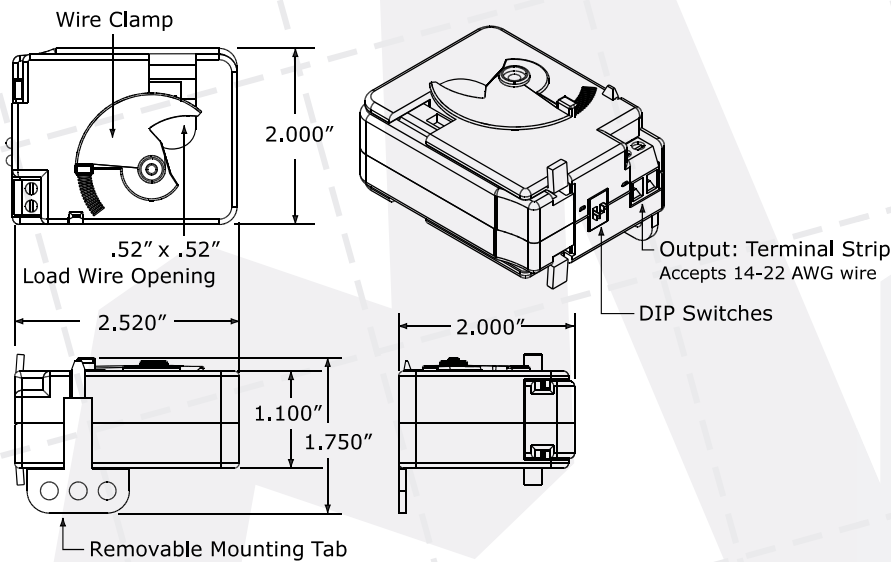
Enclosed Split Core Multi-Range Transducer with 0-5Vdc Terminal Output*

GENERAL DESCRIPTION

The CT-153 probe is the latest in compact AC Current probes. Designed to meet the most stringent demands in industry and electrical contracting, while also meeting the latest safety and performance standards.

SPECIFICATIONS

Sensor Range:	0 to 10 Amp, 25 Amp & 50 Amp
Sensor Type:	Split core with voltage output
Operating Temperature:	-30 to 140° F
Humidity Range:	5-95% (noncondensing)
Accuracy:	96.8% Full Scale
Max Sense Voltage:	600 Vac
Mounting/Installation:	Removable mounting tab provided. The wire clamp locks against the load wire, securing the unit in place.
Output:	12" double insulated cable with non-insulated ferrules



DIP Switches		5V Range
1	2	
OFF	OFF	0-10 Amp
OFF	ON	0-25 Amp
ON	OFF	0-50 Amp

ORDERING INFORMATION

Item: AC Current Transducer CT-153 (0-10A, 25A & 50A)

Cat#: 35-0047

*PLEASE NOTE: ACR has adopted this clamp as a low current logging option. It is being utilized at half the manufacturer's rated 0-10VDC range in order to accommodate the 0-5VDC format of the SmartReader Plus 3 data loggers.