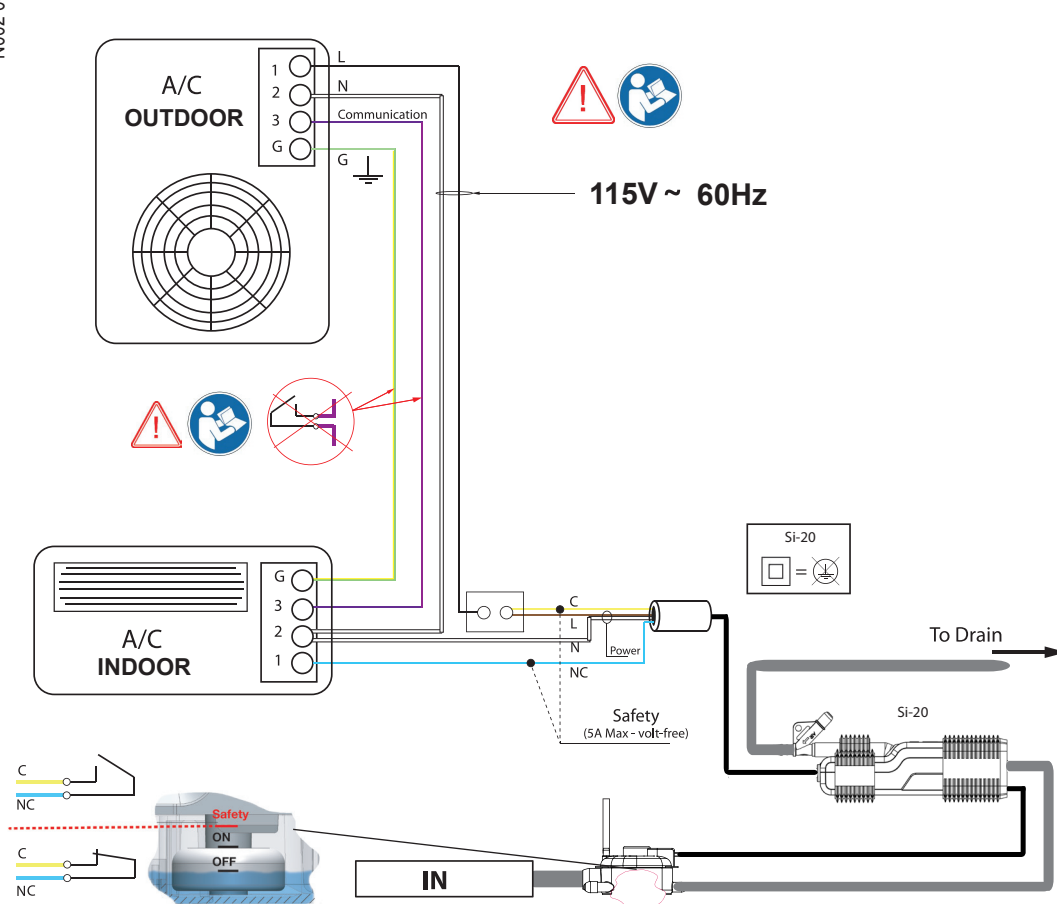
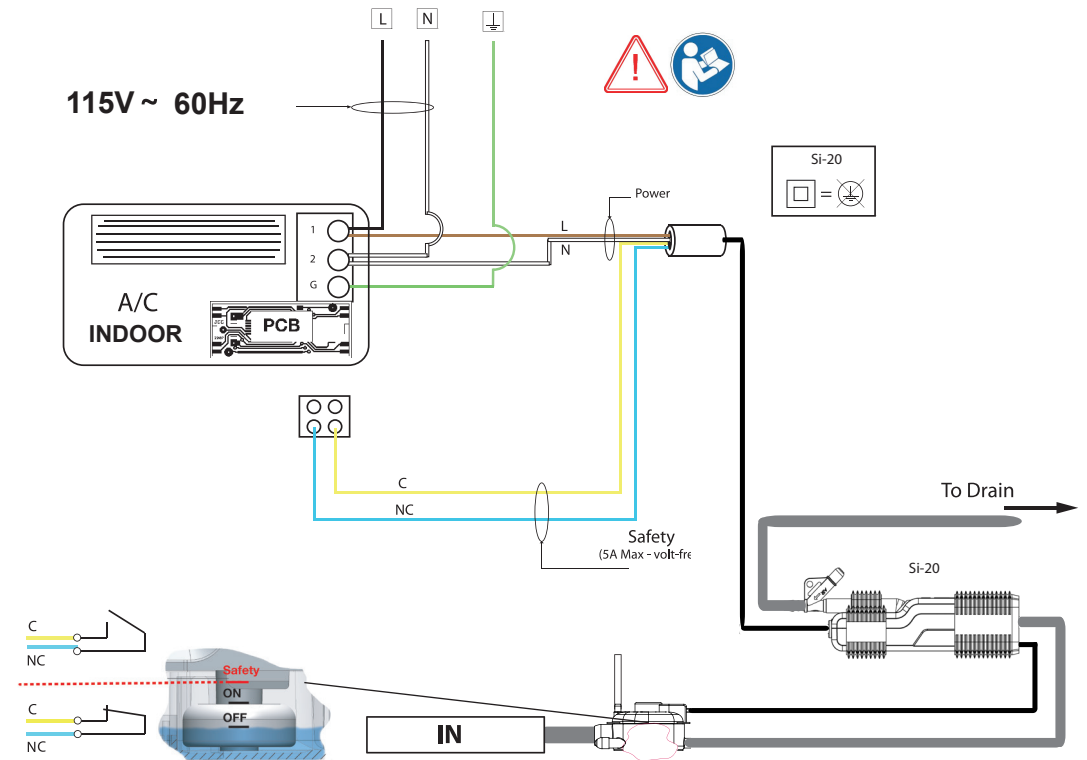


Si-20 (115 V ~ 60Hz) Split & Multisplit System

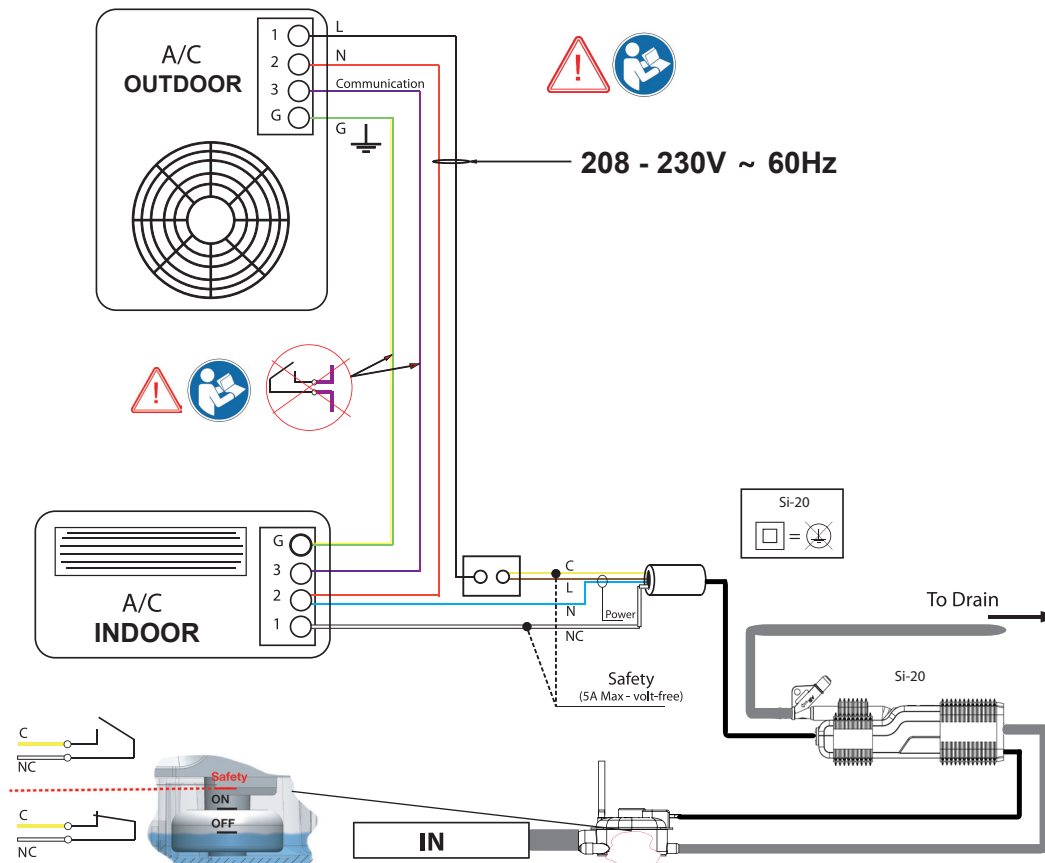
N002-00 Edition 2301



Si-20 (115 V ~ 60Hz) VRF System



Si-20 (208-230 V ~ 60Hz) Split & Multisplit System



Si-20 (208-230 V ~ 60Hz) VRF System

